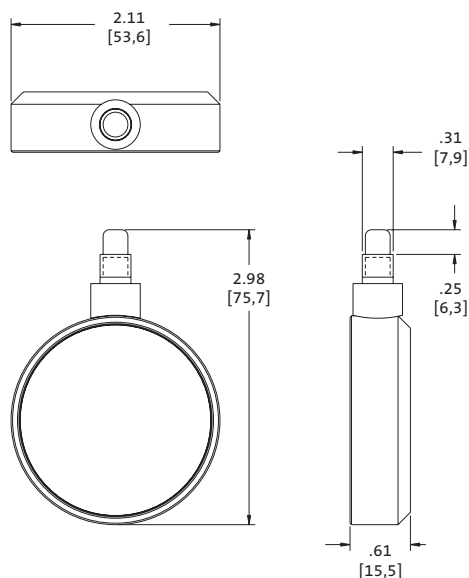


# Gas-Filled Radiation Detectors Pancake Geiger-Mueller Tubes

Saint-Gobain offers a broad line of standard Geiger-Mueller detectors and probes. The design of a Geiger-Mueller tube is often optimized for a specific application.

Shaped like a pancake, the Pancake GM tube provides for a larger detection area compared to a regular cylindrical GM tube. In addition to gamma radiation, the large circular mica window allows for detection of beta particles and high energy alpha particles.



Standard Pancake Mechanical Dimensions  
inches [mm]

## Applications –

### Personal Safety

- Body Frisking
- Survey Instruments
- Area Monitors

### Recording Exposure Levels

- Digital Pocket Dosimeters
- Area Monitors
- Survey Instruments

### Contamination Monitoring

- Area Monitors
- Environmental Monitors
- Stack Monitors

### Non-destructive Density & Thickness Gauging

- Highway asphalt and concrete aggregate measurements
- On-line density or thickness monitoring in manufacturing



**USA**

**Saint-Gobain Crystals**  
 17900 Great Lakes Parkway  
 Hiram, OH 44234  
 Tel: (440) 834-5600  
 Fax: (440) 834-7680

**Europe**

**Saint-Gobain Crystals**  
 104 Route de Larchant  
 BP 521  
 77794 Nemours Cedex, France  
 Tel: 33 (1) 64 45 10 10  
 Fax: 33 (1) 64 45 10 01

P.O. Box 3093  
 3760 DB Soest  
 The Netherlands  
 Tel: 31 35 60 29 700  
 Fax: 31 35 60 29 214

**Japan**

**Saint-Gobain KK, Crystals Division**  
 3-7, Kojimachi, Chiyoda-ku,  
 Tokyo 102-0083 Japan  
 Tel: 81 (0) 3 3263 0559  
 Fax: 81 (0) 3 5212 2196

**China**

**Saint-Gobain (China) Investment Co, Ltd**  
 15-01 CITIC Building  
 19 Jianguomenwai Ave.  
 Beijing 100004 China  
 Tel: 86 (0) 10 6513 0311  
 Fax: 86 (0) 10 6512 9843

**India**

**Saint-Gobain Crystals and Detectors**  
 Sy. No. 171/2, Maruthi Industrial Estate  
 Hoody Rajapalya, Whitefield Main Road  
 Bangalore 560048 India  
 Tel: 91 80 42468989  
 Fax: 91 80 28416501

www.crystals.saint-gobain.com

## Gas-Filled Radiation Detectors Pancake Geiger-Mueller Tubes

Electrical Characteristics		
Drawing No.	<b>S800-1192</b>	<b>S800-1193</b>
Maximum Starting Voltage (volts)	750	425
Recommended Operating Voltage (volts)	900	500
Operating Voltage Range (volts)	850 - 1000	475 - 675
Maximum Dead Time @ 900 V (micro sec)	20	40
Maximum Plateau Slope (1%/100 volts)	10	10
Minimum Anode Resistor (MΩ)	3.3	3.3
Recommended Anode Resistor (MΩ)	3.3	3.3
Gamma Sensitivity Cs137 (cps/mR/hr)	65	65
Max Background Shielded 50mmpb+3mmAl (cpm)	30	30
Tube Capacitance (pf)	3	3
Mechanical Characteristics		
Weight (grams)	125	125
Active Length (inch/mm)	0.5 / 12.7	0.5 / 12.7
Active Diameter (inch/mm)	1.75 / 44.5	1.75 / 44.5
Mica Window Thickness (mg/sq cm)	2	2
Fill Gas	Ne / Ar + Halogen	Ne / Ar + Halogen
Operating Temperature Range (°C)	-55 to +75	-55 to +75
Type of Connector	Grid Cap	Grid Cap

### Recommended Operating Voltage

The recommended operating voltage generally appears in the center of the plateau. One can deviate from this suggestion as long as the applied voltage is still on the plateau.